

## XDriver™ 200W

LED Power Supply



ATG ELECTRONICS



ATG Electronics® XDriver™ 200W LED Power Supply is a universal device that operates on input voltage ranging from 85 VAC~132 VAC or 170 VAC~264 VAC, and provides 16.7 amperes of filtered and regulated 12VDC power (nominal) or 8.3A amperes of 24VDC power (nominal) to LED lighting fixtures, controllers or decoders etc.

XDriver™ 200W comes with a 1.2 meter (3.93 feet) long power cord with American plug or European plug to suit different interface. It also has screw terminals, which can attach to ATG Electronics products or via power adaptor board.

XDriver™ 200W is only applicable for dry environment.

XDriver™ 200W is the ideal and cost effective solution for driving quantity of 12VDC or 24VDC LED lighting fixtures, controllers or decoders etc. It has successfully been installed with thousands of LED lighting systems in the world.

**ATG**  
**Electronics Corp.**

Light your world  
Color your life!

## Features

- Direct Assembly on DIN-Rail.
- Touch-guard Screw Terminals.
- Overload Protection, Constant Current Limiting, Reset: Auto Recovery.
- Short-Circuit Proof, 100% Full Load Burn-in Test.
- Built-in EMI Filter, Low Ripple Noise.
- Simple primary hook-ups, Class 2 outputs.
- No minimum load, no load balancing and no dip switches.
- Proven reliability, rugged housings.

## Part Numbers

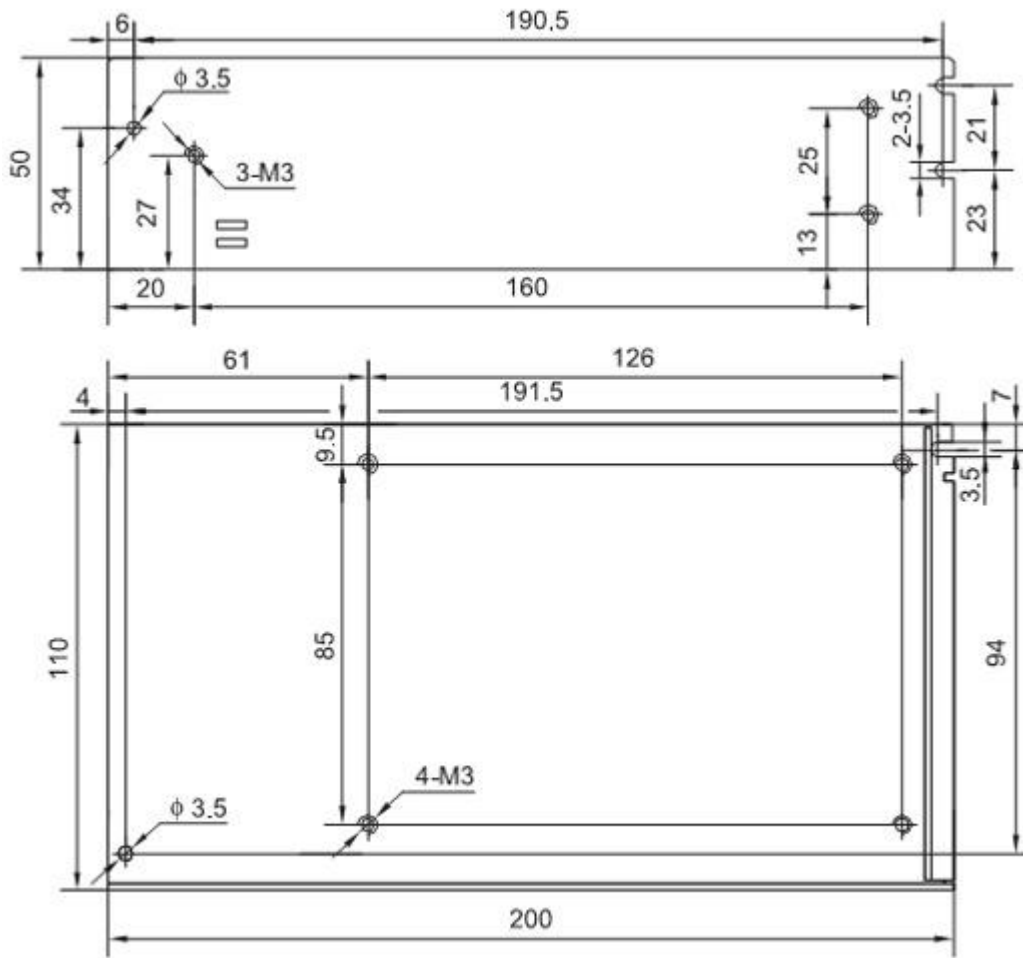
Part Number	Description	Unit
HPS-12200-X00000-H1	Open frame, 200W, 12VDC 16.7A, 120VAC input	pcs
HPS-12200-X00000-H2	Open frame, 200W, 12VDC 16.7A, 240VAC input	pcs
HPS-24200-X00000-H1	Open frame, 200W, 24VDC 8.3A, 120VAC input	pcs
HPS-24200-X00000-H2	Open frame, 200W, 24VDC 8.3A, 240VAC input	pcs

## Technical Specifications

Part Number	HPS-12200-X00000-H1 HPS-12200-X00000-H2	HPS-24200-X00000-H1 HPS-24200-X00000-H2
Input Voltage	85 VAC~132 VAC, 170 VAC~264 VAC	85 VAC~132 VAC, 170 VAC~264 VAC
Input frequency	47 Hz~63 Hz	47 Hz~63 Hz
Output Voltage	12 VDC	24 VDC
Output Current	16.7 A	8.3 A
Line regulation	<±0.5%	<±0.5%
Full load efficiency	>82%	>82%
Inrush current	40 A/230V (cold start)	40 A/230V (cold start)
Input leakage current	< 0.7 mA/230 VAC	< 0.7 mA/230 VAC
Output voltage adjust range	±10%	±10%
Output overload current protection	110%~130%	110%~130%
Output overload voltage protection	115%~150%	115%~150%
Rise time	50 ms@ full load(typical)	50 ms@ full load(typical)
Hold-up time	20 ms@ full load(typical)	20 ms@ full load(typical)
Operating temperature & humidity	-10°C~50°C (14°F~122°F), 20%~90%RH(non-condensing)	-10°C~50°C (14°F~122°F), 20%~90%RH(non-condensing)
Storage temperature & humidity	-20°C~85°C(-4°F~185°F), 20%~95%RH(non-condensing)	-20°C~85°C(-4°F~185°F), 20%~95%RH(non-condensing)
Cooling method	Convection	Convection
Work environment	Indoor use, applicable for dry environment	Indoor use, applicable for dry environment
Dimension	L200xW110xH50 mm (L7.9 * W4.3 * H2 inch)	L200xW110xH50 mm (L7.9 * W4.3 * H2 inch)
Weight	900 g	900 g

Remark: Output is available from 3VDC~48VDC.

Drawing (Unit: mm)





**ATG ELECTRONICS**

**ATG Electronics Corp.**

628 Zhangyang Road, Suite 1-21B, Shanghai 200122, CHINA  
www.atgelectronics.com      E-mail: sales@atgelectronics.com  
Phone: +86-21-58350166      Fax: +86-21-58351977

V4.3-090218