

Think Green. Act Green



eLucent™

R Series LED Lamps

"The government says that if every American home replaced one light bulb with a compact fluorescent light bulb, we could save enough energy to prevent greenhouse gases equal to the emissions of more than 800,000 cars. Certainly great news, yet recycling burned-out CFL light bulbs poses a quandary for homeowners."

-The Dallas Morning News, April 17, 2008



ATG ELECTRONICS



ATG Electronics® eLucent™ R Series are compact LED lamps designed to replace conventional incandescent lamps and CFL lamps. They are well-suited for use in interior architectural, retail, exhibit and display lighting applications.

eLucent™ R Series LED Lamps utilize high intensity LEDs and customized optics to produce an efficient and even lighting distribution. With patented thermal control technology, the lamps generate little heat and turn on instantly. They also feature high efficiency, consume less than 4 watts (R38) and emit the same amount of light intensity of 40 Watt incandescent bulbs. The lamps offer a 50,000 hours life time compared to 1,000 hours from incandescent lamps and 5,000 to 10,000 hours from CFLs. They contain no mercury, totally mercury pollution or poisoning free.

eLucent™ R Series are available in two types of packaging: blister packs version and color boxes version, which are well-suited for your retail use. eLucent™ R Series LED Lamps can directly fit into standard lighting fixtures and sockets, and they are available in warm white, natural white and cold white for different choices.

**ATG
Electronics Corp.**
Light your world
Color your life!

Features & Benefits:

Energy saving with low power consumption;
Solid-state, fast turn on;
No mercury, eco-friendly to the environment;
Less heat output, no UV, no heat damage to achieve the ideal display lighting;

Easily installed into standard lighting fixtures and sockets;
Longevity of service and minimal maintenance.

Recommended Applications:

Display lighting for museums, galleries, stores, malls, shopwindows, exhibitions etc.

eLucent™ R Series for Display Lighting





To make your articles stand out, you have to let your lamps on all day long. Every day, every year...can you calculate how much energy has been wasted? Now you can leave lights on without guilt by replacing conventional incandescent lamps and CFL lamps with eLucent™ R Series. The proper lighting output emitted by eLucent™ R Series will never submerge your articles in the glare light. You'll not only easily sell your articles from another, but also make your clients or audiences more comfortable and receptive.

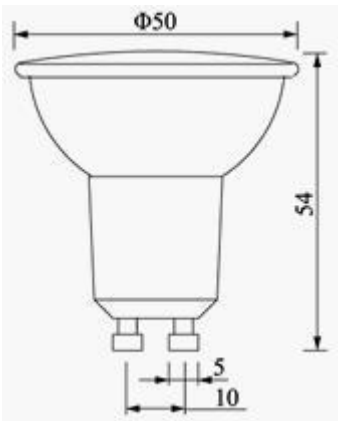


eLucent™ R10

Part Numbers

Part Number	Description	Unit
HSL-3020N-050700-H1	eLucent R10 LED Lamp, 20LEDs, Natural White, GU10, 120VAC, 15 degree	PCs
HSL-3018T-050700-H1	eLucent R10 LED Lamp, 18LEDs, RGB, GU10, 120VAC, 15 degree	PCs
HSL-3020N-050700-H2	eLucent R10 LED Lamp, 20LEDs, Natural White, GU10, 240VAC, 15 degree	PCs
HSL-3018T-050700-H2	eLucent R10 LED Lamp, 18LEDs, RGB, GU10, 240VAC, 15 degree	PCs

Physical Dimensions (Unit: mm)



Technical Specifications

Physical Specifications

Dimension	D50*H54 mm (D1.97 * H2.13 inch)
Base	GU10
Housing	Glass
Work environment	applicable for dry environment

Electrical Specifications

Lighting Source	High Intensity LEDs
LED Quantity	20LEDs (White) 18LEDs (RGB)
Operation Voltage	120VAC or 240VAC
Operation Current	10~15mA (White) 50~55mA (RGB)
Power Consumption	0.4~0.7 W (White) 1~1.5W (RGB)
Operation Temperature	-25 °C~40 °C (-13°F~104°F)

Optical Specifications

Color Range	White	RGB		
Luminous Intensity (single LED)	1200 mcd	—		
Lumens (one pcs)	48 lm	6~18 lm		
Efficiency	45lm/W	10~45 lm/W		
Wavelength (nm)	—*	Red: 620~630	Blue: 465~475	Green: 510~520
Beam Angle	15 degree			
Lumen Maintenance	>95% @ 1,000hrs			

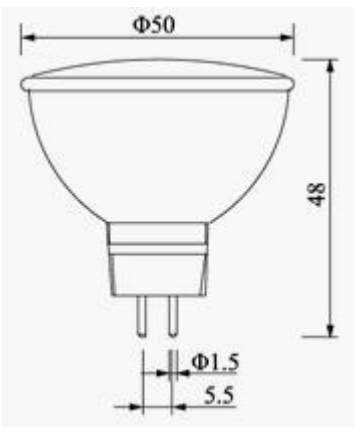
* Color Temperature: 5,000K~6,500K

eLucent™ R16

Part Numbers

Part Number	Description	Unit
HSL-1020N-050700-L1	eLucent R16 LED Lamp, 20LEDs, Natural White, MR16, 12VDC/VAC, 15 degree	PCs
HSL-1018T-050700-L1	eLucent R16 LED Lamp, 18LEDs, RGB, MR16, 12VDC/VAC, 15 degree	PCs

Physical Dimensions (Unit: mm)



Technical Specifications

Physical Specifications

Dimension	D50*H48 mm (D1.97 * H1.89 inch)
Base	MR16
Housing	Glass
Work environment	applicable for dry environment

Electrical Specifications

Lighting Source	High Intensity LEDs
LED Quantity	20LEDs (White) 18LEDs (RGB)
Operation Voltage	12 VDC/VAC
Operation Current	100~110 mA (White) 90~100mA (RGB)
Power Consumption	1.2 ~1.5 W (White) 1.1~1.2 W (RGB)
Operation Temperature	-25 °C~40 °C (-13°F~104°F)

Optical Specifications

Color Range	White	RGB		
Luminous Intensity (single LED)	1200 mcd	—		
Lumens (one pcs)	48 lm	6~18 lm		
Efficiency	45lm/W	10~45 lm/W		
Wavelength (nm)	—*	Red: 620~630	Blue: 465~475	Green: 510~520
Beam Angle	15 degree			
Lumen Maintenance	>95%@1,000hrs			

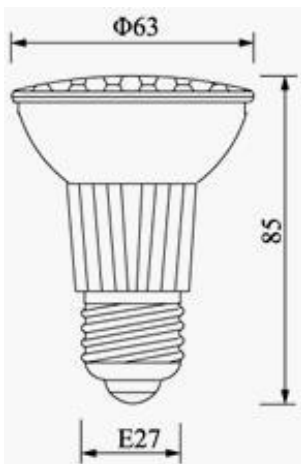
* Color Temperature: 5,000K~6,500K

eLucent™ R20

Part Numbers

Part Number	Description	Unit
HSL-P024N-200700-H1	eLucent R20 LED Lamp, PAR20, 24LEDs, Natural White, E27, 120VAC, 15 degree	PCs
HSL-P018T-200700-H1	eLucent R20 LED Lamp, PAR20, 18LEDs, RGB, E27, 120VAC, 15 degree	PCs
HSL-P024N-200700-H2	eLucent R20 LED Lamp, PAR20, 24LEDs, Natural White, E27, 240VAC, 15 degree	PCs
HSL-P018T-200700-H2	eLucent R20 LED Lamp, PAR20, 18LEDs, RGB, E27, 240VAC, 15 degree	PCs

Physical Dimensions (Unit: mm)



Technical Specifications

Physical Specifications

Dimension	D63*H85 mm (D2.48*H3.35 inch)
Base	E27
Housing	Glass
Work environment	applicable for dry environment

Electrical Specifications

Lighting Source	High Intensity LEDs
LED Quantity	24 LEDs (White) 18 LEDs (RGB)
Operation Voltage	120VAC or 240VAC
Operation Current	12~15mA (White) 45~55mA (RGB)
Power Consumption	1.2~1.8w (White) 1.3~1.65w (RGB)
Operation Temperature	-25 °C~40 °C (-13°F~104°F)

Optical Specifications

Color Range	White	RGB		
Luminous Intensity (single LED)	1200 mcd	—		
Lumens (one pcs)	48 lm	6~18 lm		
Efficiency	45lm/W	10~45 lm/W		
Wavelength (nm)	—*	Red: 620~630	Blue: 465~475	Green: 510~520
Beam Angle	15 degree			
Lumen Maintenance	>95%@1,000hrs			

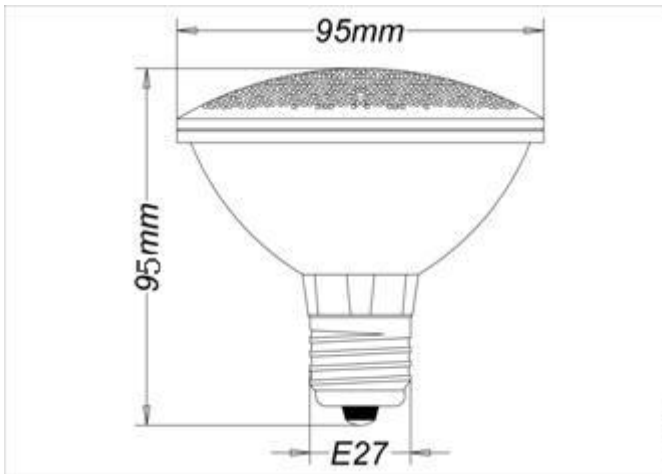
* Color Temperature: 5,000K~6,500K

eLucent™ R30

Part Numbers

Part Number	Description	Unit
HSL-P060N-300700-H1	eLucent R30 LED Lamp, PAR30, 60LEDs, Natural White, E27, 120VAC, 15 degree	PCs
HSL-P060N-300700-H2	eLucent R30 LED Lamp, PAR30, 60LEDs, Natural White, E27, 240VAC, 15 degree	PCs

Physical Dimensions



Technical Specifications

Physical Specifications

Dimension	D95 * H95 mm (D3.74 * H3.74 inch)
Base	E27
Housing	Glass
Work environment	applicable for dry environment

Electrical Specifications

Lighting Source	High Intensity LEDs
LED Quantity	60 LEDs
Operation Voltage	120VAC or 240VAC
Operation Current	41~45mA
Power Consumption	2.5~3w
Operation Temperature	-25 °C~40 °C (-13°F~104°F)

Optical Specifications

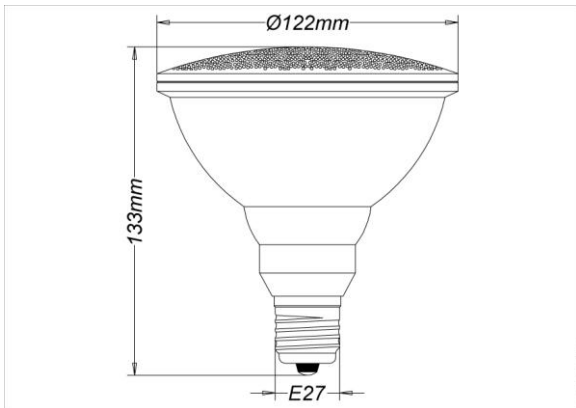
Color Range	White
Luminous Intensity (single LED)	1200 mcd
Lumens (one pcs)	100~120 lm
Efficiency	40~45lm/W
Color Temperature	5,000K~6,500K
Beam Angle	15 degree
Lumen Maintenance	>95%@1,000hrs

eLucent™ R38

Part Numbers

Part Number	Description	Unit
HSL-P102N-380700-H1	eLucent R38 LED Lamp, PAR38, 102LEDs, Natural White, E27, 120VAC, 15 degree	PCs
HSL-P102N-380700-H2	eLucent R38 LED Lamp, PAR38, 102LEDs, Natural White, E27, 240VAC, 15 degree	PCs

Physical Dimensions



Technical Specifications

Physical Specifications

Dimension	D122 * H133 mm (D4.8 * H5.2 inch)
Base	E27
Housing	Glass
Work environment	applicable for dry environment

Electrical Specifications

Lighting Source	High Intensity LEDs
LED Quantity	102 LEDs
Operation Voltage	120VAC or 240VAC
Operation Current	41~45mA
Power Consumption	3.5~4w
Operation Temperature	-25 °C~40 °C (-13°F~104°F)

Optical Specifications

Color Range	White
Luminous Intensity (single LED)	1200 mcd
Lumens (one pcs)	200 lm
Efficiency	40~45lm/W
Color Temperature	5,000K~6,500K
Beam Angle	15 degree
Lumen Maintenance	>95%@1,000hrs



ATG ELECTRONICS

ATG Electronics Corp.

628 Zhangyang Road, Suite 1-21B, Shanghai 200122, CHINA

www.atgelectronics.com E-mail: sales@atgelectronics.com

Phone: +86-21-58350166 Fax: +86-21-58351977

V5.1-090528