



ATG ELECTRONICS

ATG Electronics® iBright™ I38i T8 LED Tube (G3 IPS EU)

USER GUIDE

Part Number HFL-8030N-060602-H0
HFL-8060N-120602-H0
HFL-8080N-150602-H0



NOTE:

Please read this entire manual to fully understand and safely use this product.

Specifications are subject to change without notice. Please visit www.atgelectronics.com for the most recent user guide versions.

Included in this Box

ATG Electronics® iBright™ I38i T8 LED Tube (G3 IPS EU), 1 PCs
User Guide, 1 Set
I38 Starter, 1 PCs
Red-Black Wires, 2 PCs
Wire Nuts, 4 PCs
Label, 1 PCs



(Note: Please adhere the label "AC Input" to AC input end of the retrofit luminaire.)

ATG Electronics® iBright™ I38i T8 LED Tube (G3 IPS EU) Specifications

Input Voltage: 100-277VAC

Color: White

LED Qty: 32LEDs, 64LEDs, 80LEDs

Power Consumption: 8W ±2W, 17W ±2W, 21W ±2W

Beam Angle: 120 degree

Length: 600mm, 1200mm, 1500mm

Work Environment: Indoor use, dry environments

* For detailed specifications, please refer to product catalog of iBright™ I38i T8 LED Tube (G3 IPS EU).

Installation Steps

Retrofit installation steps for luminaires with Magnetic Ballast are different from that with Electronic Ballast.

Retrofit Luminaires with Magnetic Ballast

iBright™ I38i (G3 IPS EU) is compatible with magnetic ballast. Magnetic ballast can be left there.

Step 1: Turn off main power before installation.

For safety, make sure main power source is switched off before attempting to install.

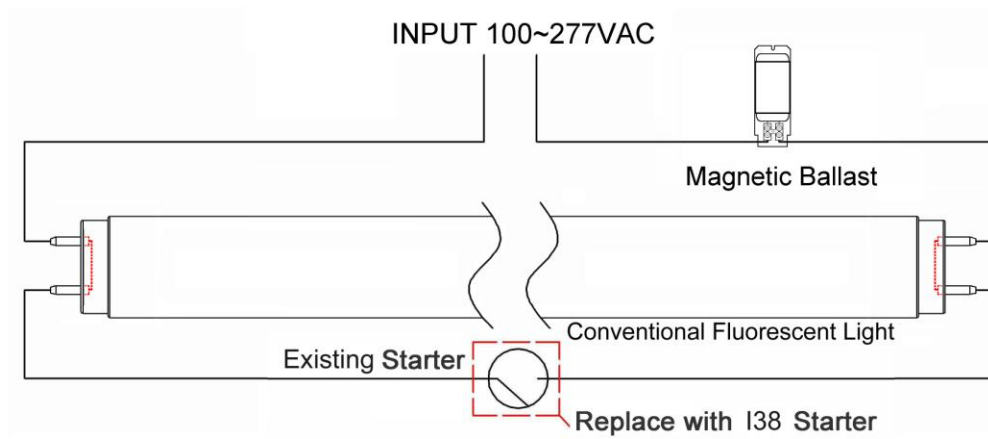
Step 2: Replace existing starter with I38 starter supplied in the package.

Step 3: Take existing fluorescent light off.

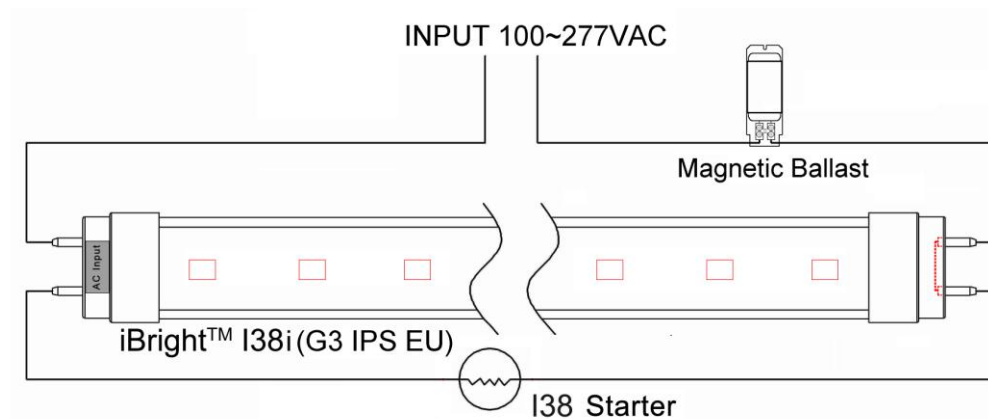
Step 4: Drop iBright™ I38i into the luminaire. Switch main power on to light up iBright™ I38i.

Wiring Diagram (Magnetic Ballast)

Before:



After:



Retrofit Luminaires with Electronic Ballast

iBright™ I38i (G3 IPS EU) is NOT compatible with electronics ballast. Electronic ballast must be removed.

Step 1: Turn off main power before installation.

For safety, make sure main power source is switched off before attempting to install.

Step 2: Take off existing fluorescent light and disconnect the electronic ballast.

Step 3: Reconnect one end of the socket to power source. Please refer to below wiring diagram.

Adhere Label "AC Input" supplied in the package to the AC input end of the retrofit luminaire.

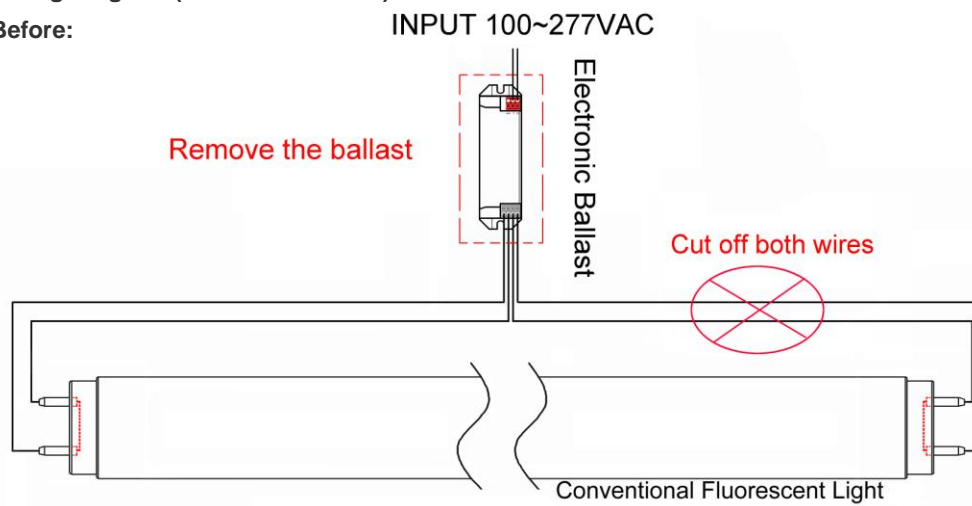
Step 4: Drop iBright™ I38i into the luminaire.

Note: The end labeled "AC Input" is AC Input end. Wrong connection will burn out iBright™ I38i.

Step 5: Switch main power on to light up iBright™ I38i.

Wiring Diagram (Electronic Ballast)

Before:



After:

